



**WEJHA**  
SMART SIGNAGE

DIGITAL SIGNAGES

# INTERACTIVE KIOSK – K SHAPE

43 INCH | 49 INCH | 55 INCH | 65 INCH

## DIGITAL SIGNAGES

# INTERACTIVE KIOSK - K SHAPE



The WEJHA K-Shape Interactive Kiosk is a sleek and modern digital solution designed for interactive customer engagement and smart communication. With its stylish K-shaped design and high-resolution touch display, it is ideal for retail stores, hotels, malls, exhibitions, and corporate environments.

Built for reliability and performance, it supports digital signage, wayfinding, advertisements, and self-service applications to enhance user experience and business interaction.

## KEY FEATURES



### 4K ULTRA HD DISPLAY

Enjoy stunning image clarity with a 3840 × 2160 resolution, delivering sharp details and vibrant visuals for digital signage and commercial applications.



### WIDE VIEWING ANGLE

A 178° viewing angle ensures consistent image quality and color accuracy from almost any position.



### 24/7 COMMERCIAL OPERATION

Designed for continuous operation with a lifespan of up to 50,000 hours, making it ideal for demanding commercial environments.



### OPTIONAL TOUCH INTERACTION

Available with infrared touch and optional capacitive touch technology for enhanced user engagement.



### HIGH BRIGHTNESS PERFORMANCE

Featuring 500 nits brightness to ensure clear and vivid content visibility in various indoor lighting conditions.



### ANDROID 13 POWERED

Built on Android 13, providing a modern, secure, and flexible platform for content management and business applications.

## SPECIFICATIONS

Size	43"	49"	55"	65"
Product Name	WA-I430-FIK	WA-I490-FIK	WA-I550-FIK	WA-I650-FIK
Dimension	979.4*568.6*78.6 mm	1134.17*655.4*78.6 mm	1251.81*723.4*78.6 mm	1471.5*848.5*93.8mm
Bezel Dimension	19.2mm	19.08mm	21mm	21mm
Display Area	941 (H)*529.5 (W) mm	1096 (H)*616.5 (W) mm	1209.6 (H)*680.4 (W) mm	1429.5 (H)*804.5 (W)mm
Resolution	3840*2160	3840*2160	3840*2160	3840*2160
Proportion	16.9			
Brightness	500 nits			
Display Color	16.7 M	16.7M	16.7M	16.7M
Viewing Angle	89/89/89/89 (U/D/L/R)	89/89/89/89 (U/D/L/R)	89/89/89/89 (U/D/L/R)	89/89/89/89 (U/D/L/R)
RAM & ROM	4+32G		4+64G	
CPU	RK3568V, quad-core, up to 2.0GHz		RK3588, Octa-core chip, Octa-core 64-bit size core architecture, 4*Cortex-A76 +4*Cortex-A55	
GPU	Mali-G52 GPU supports OpenGL ES 1.1/2.0/3.2, OpenCL 2.0 and Vulkan 1.1		ARM Mali-G610 MC4, OpenGL ES 1.1/2.0/3.1/3.2, Vulkan 1.1,1.2, OpenCL 1.1, 1.2, 2.0,	
Support Video Formats	Support H.265, H.264, VP8, MAV, WMV, AVS, H.263, MPEG4 and other video formats		Support MPEG-1, MPEG-2, MPEG-4, H.263, H.264, H.265, VC-1, VP9, VP8, AV1 and other video formats	
Support Image Formats	Supports various image formats such as JPG, BMP, and PNG.		Support JPG, BMP, PNG and other image formats	
Support Audio Formats	MP3, WMA, WAV, APE, FLAC, AAC, OGG, M4A,3GPP and other formats		MP3, WMA, WAV, APE, FLAC, AAC, OGG, M4A, 3GPP and other formats	
Touch	Default Infrared Touch (Optional Capacitive Touch)			
Backlight	D - LED			
Operating System (OS)	Android 13		Android 13	
Speaker	10W * 2			
Operation Hours	24/7 - 50000H Lifetime			
Accessories	Power Supply/ Cables/ Remote Control			
K-shape Base	Packing size: 500*490*1060 mm,Gross weight: 14.5 Kg			
Net Weight	18Kg	21Kg	25Kg	40Kg
Gross Weight	20Kg	24Kg	30Kg	45Kg
Glass	BOE			
Input Voltage	AC 110 V - 240 V 50/ 60 HZ			
Installation Method	Horizontal			
Power Supply	≤120 W	≤150 W	≤180 W	≤220 W
Packing Size	1075*150*685 mm	1240*150*770 mm	1350*150*840 mm	1580*15*975 mm

# 01

## POWERFUL PROCESSING

Equipped with advanced RK3568/RK3588 processors, delivering smooth performance for multimedia playback, interactive applications, and content management. Combined with up to 4GB RAM and 64GB storage for reliable daily operation.



ORDINARY SCREEN



POWERFUL PROCESSING



ORDINARY SCREEN



GRADE DISPLAY PANEL

# 02

## COMMERCIAL-GRADE DISPLAY PANEL

Features a high-quality BOE display panel with D-LED backlight technology, delivering reliable performance, accurate colors, and long-term durability for commercial applications.

# 03

## RELIABLE CONTINUOUS PERFORMANCE

Engineered for demanding commercial environments, offering stable 24/7 operation with consistent performance and minimal maintenance requirements.



ORDINARY SCREEN



RELIABLE CONTINUOUS PERFORMANCE



ORDINARY SCREEN



EXTENSIVE MEDIA COMPATIBILITY



# 04

## EXTENSIVE MEDIA COMPATIBILITY

Supports a wide range of video, image, and audio formats including H.265, H.264, PNG, JPG, FLAC, MP3, AAC, and more. Ensures seamless playback without the need for additional conversion tools.

# 05

## LARGE STORAGE CAPACITY

Provides ample onboard storage for videos, images, applications, and promotional content, reducing the need for external storage devices and simplifying content management.



ORDINARY SCREEN



LARGE STORAGE CAPACITY



ORDINARY SCREEN



BUILT-IN DUAL SPEAKERS

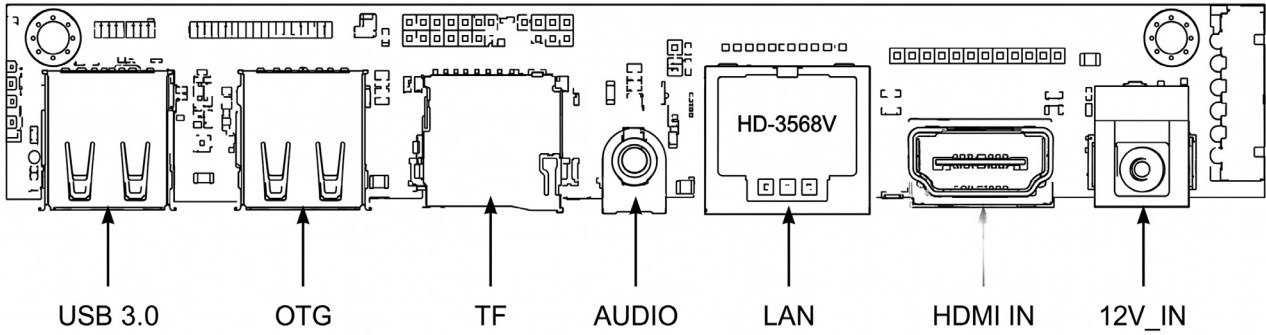


# 06

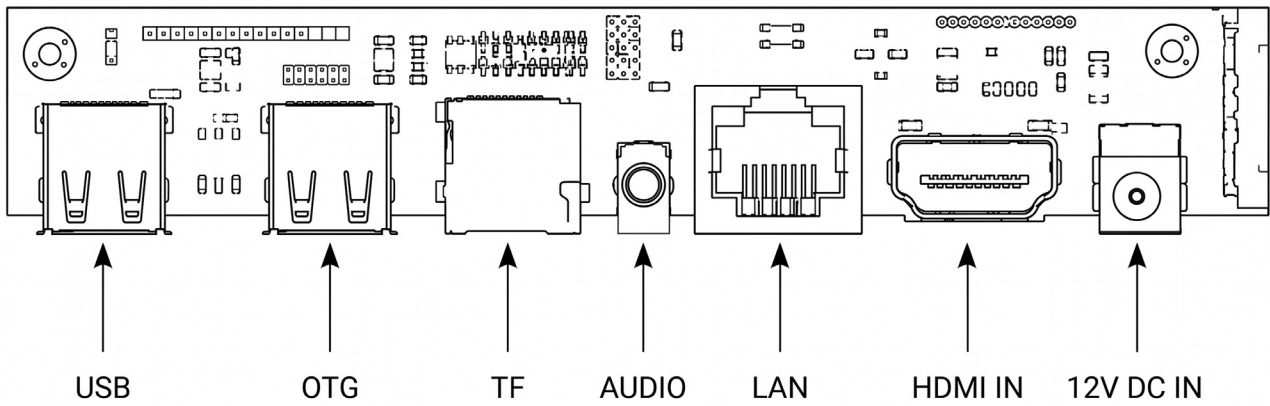
## BUILT-IN DUAL SPEAKERS

Integrated 10W × 2 speakers provide clear and consistent audio performance, making the display suitable for advertisements, announcements, and multimedia presentations without external speakers.

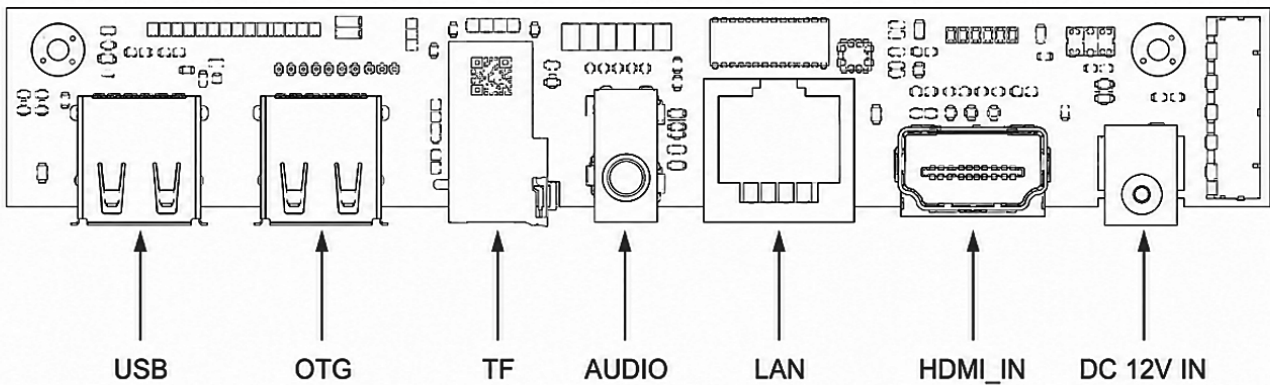
### RK3568 MAINBOARD



### RK3588 MAINBOARD

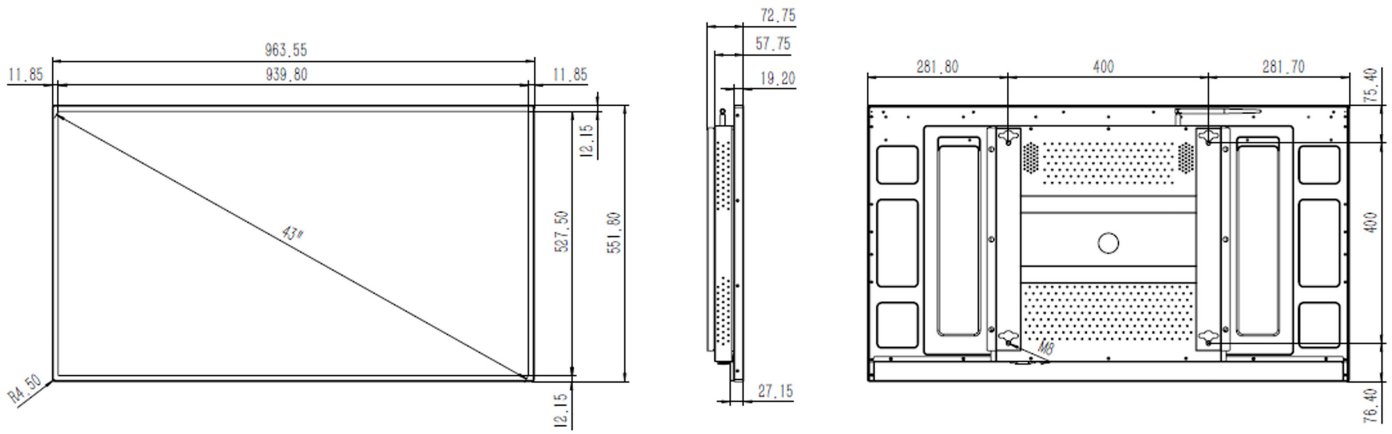


### RK3576 MAINBOARD

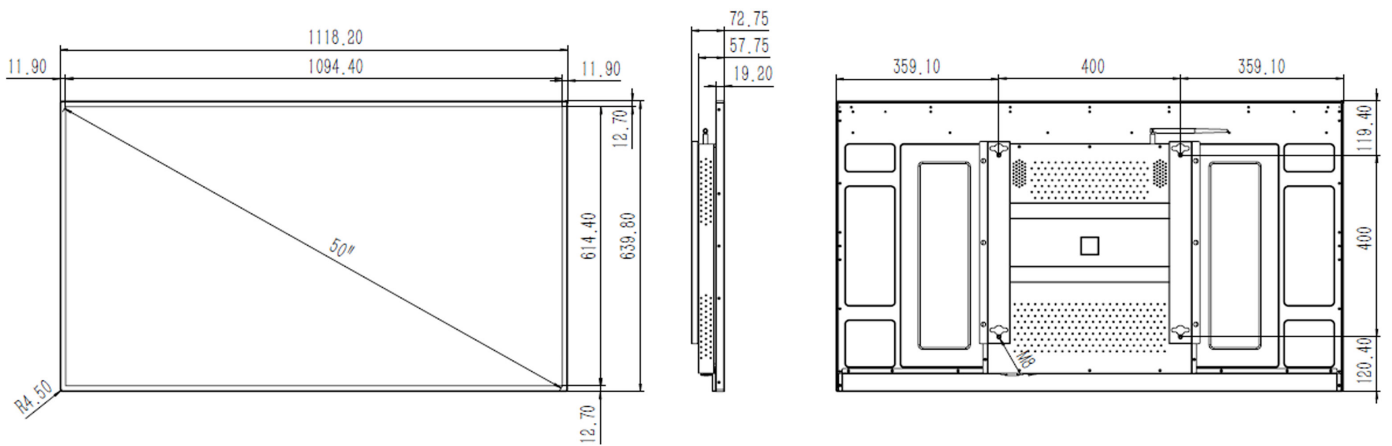


**DIMENSIONS OF THE DEVICES (Unit: mm)**

**43 INCH**

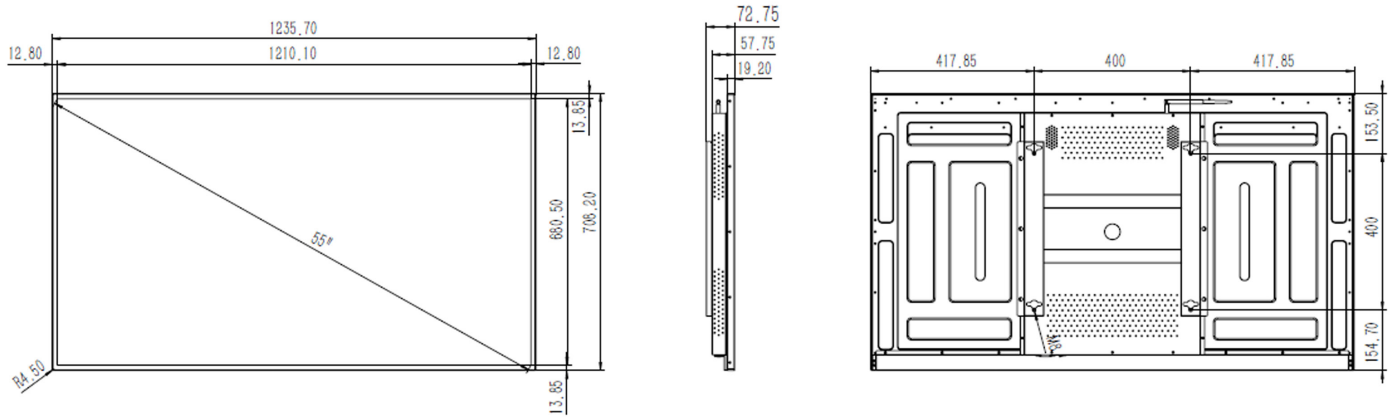


**49 INCH**

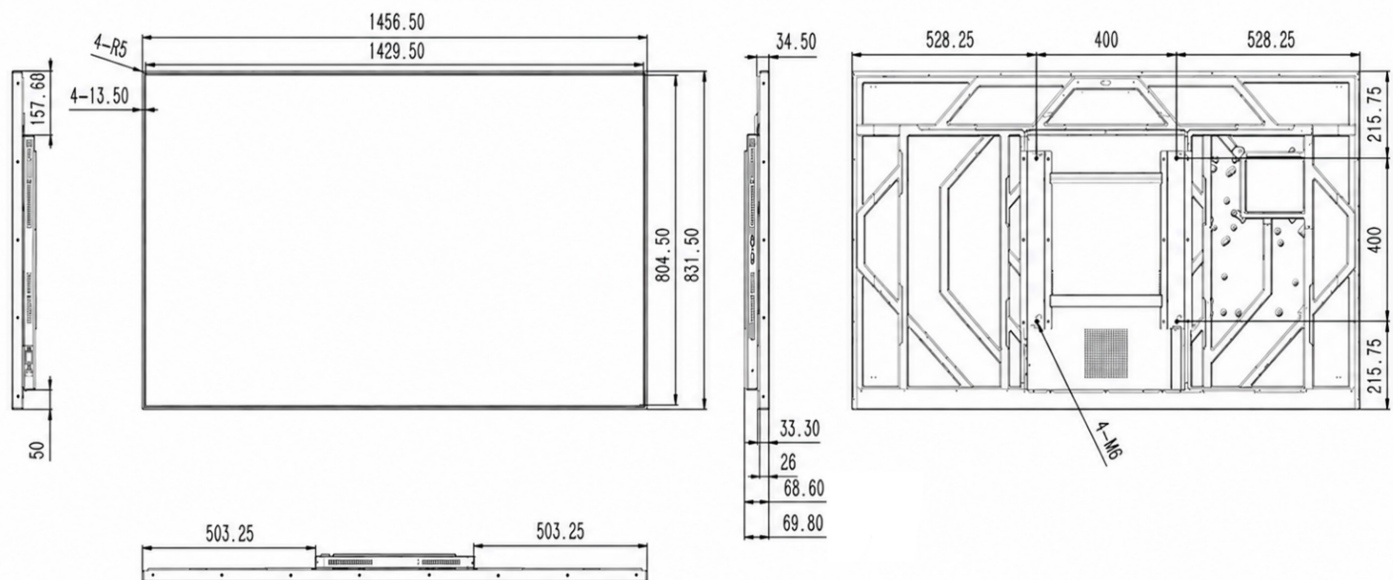


## DIMENSIONS OF THE DEVICES (Unit: mm)

### 55 INCH



### 65 INCH



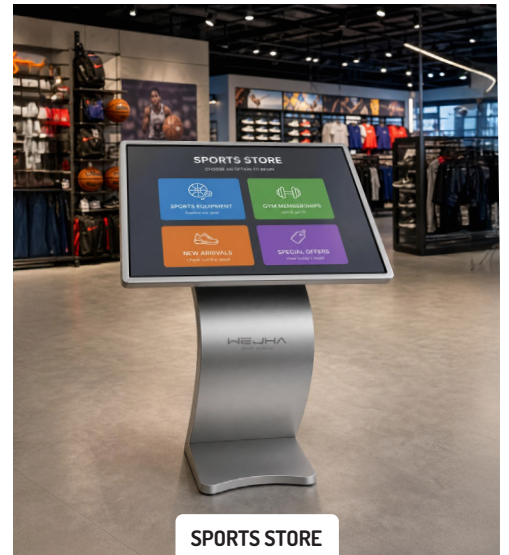
# APPLICATION AREAS



SHOPPING MALL



SUPER MARKET



SPORTS STORE



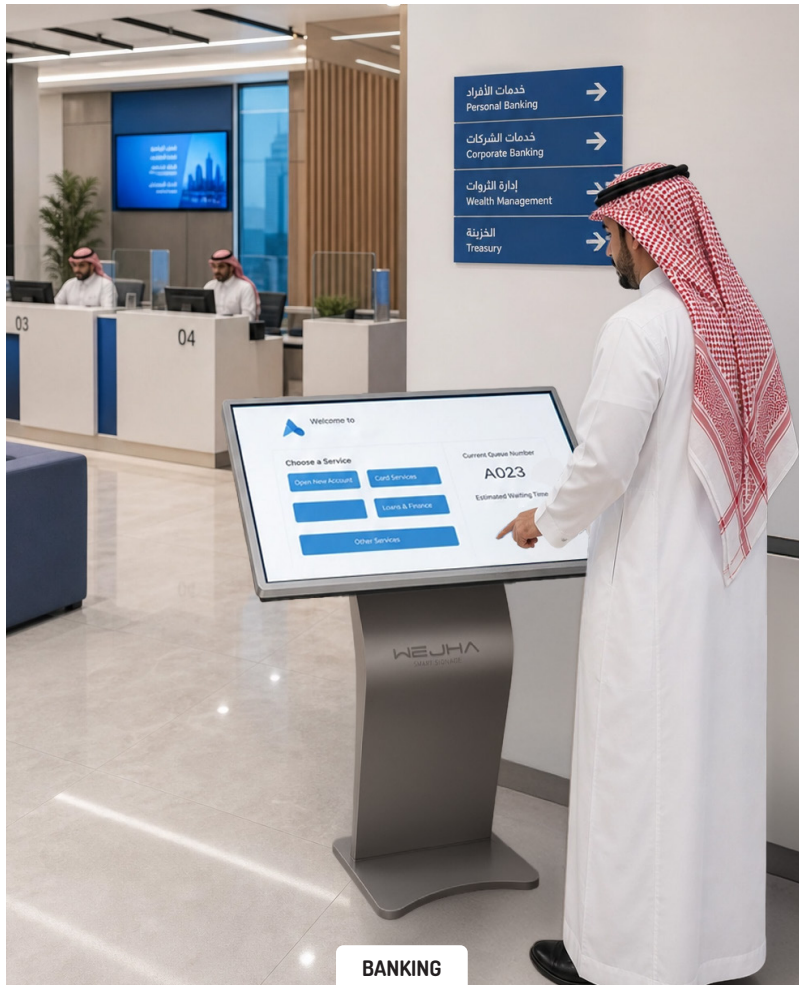
BEAUTY SHOPS



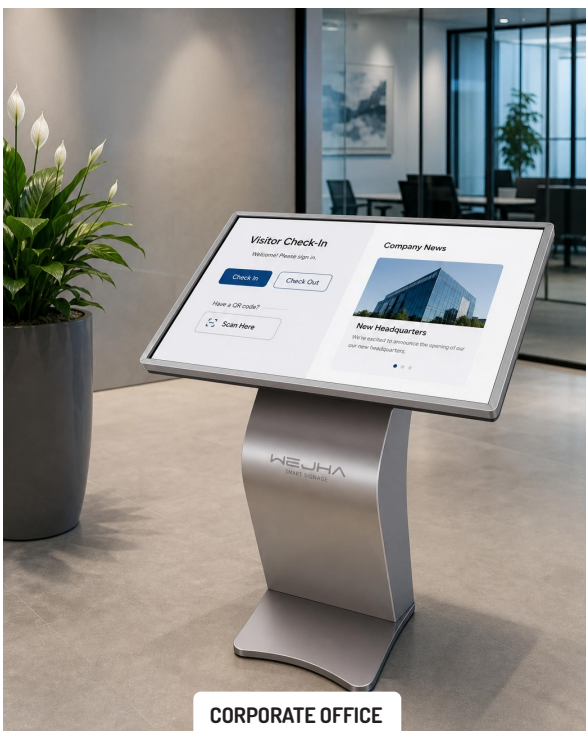
LIBRARIES



**CINEMA**



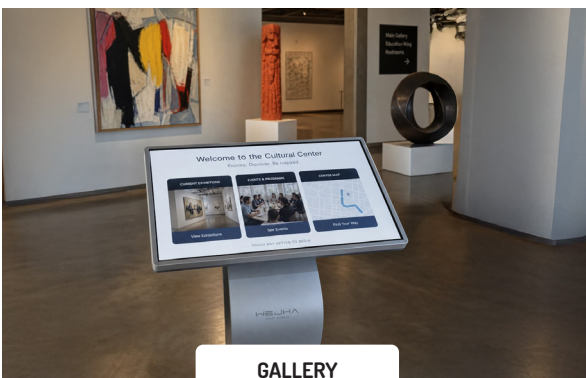
**BANKING**



**CORPORATE OFFICE**



**HOTEL**

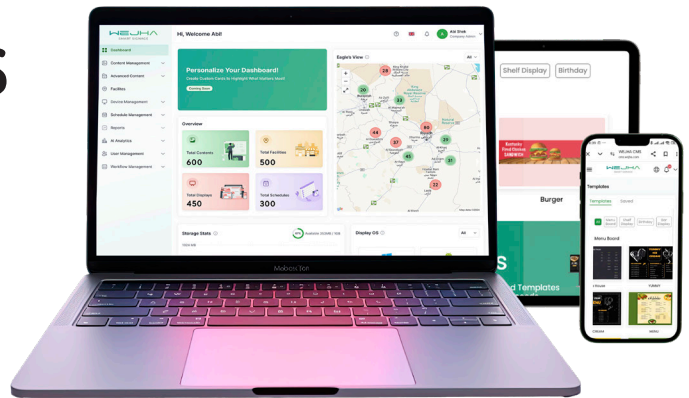


**GALLERY**

# HAVE MULTIPLE BRANCHES & MULTIPLE SCREENS?

We have one Dynamic Solution.

Manage everything easily with WEJHA CMS (Content Management System) - Smart, Centralized & fully in your control.



## FEATURES OF WEJHA CMS



Content Scheduling



Remote Access



Mobile App Control



AI Analytics



Device Management



Centralized Management



Cross-Platform OS Compatibility

## WHY WEJHA CMS?



All-in-One Solution

Streamline your digital signage from a single platform. From creation to monitoring, we simplify the process so you can focus on making an impact.



Highly Scalable

Effortlessly grow from a small shop to a large corporation. Our cloud-based infrastructure makes managing an expanding network of displays simple and hassle-free.



Robust Security

Protect your data with advanced encryption and role-based access. Our high-level protocols ensure your content stays secure and private.



Unparalleled Support

Stay ahead with expert assistance and continuous updates. We're committed to a seamless experience, keeping your system at the cutting edge.

# CONTACT US

EMAIL:

[INFO@WEJHA.COM](mailto:INFO@WEJHA.COM)

WEBSITE:

[WWW.WEJHA.COM](http://WWW.WEJHA.COM)

Scan the QR code  
to connect with our team



WHATS APP NUM:

**+966 54 352 0500**